



Installation instructions, accessories

Volvo Car Corporation Gothenburg, Sweden

Instruction No	Version	Part. No.
31390250	1.0	31373747, 31399101

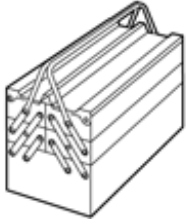
Steering wheel, leather, heated and paddles



Installation instructions, accessories

Volvo Car Corporation Gothenburg, Sweden

Equipment



IMG-345497

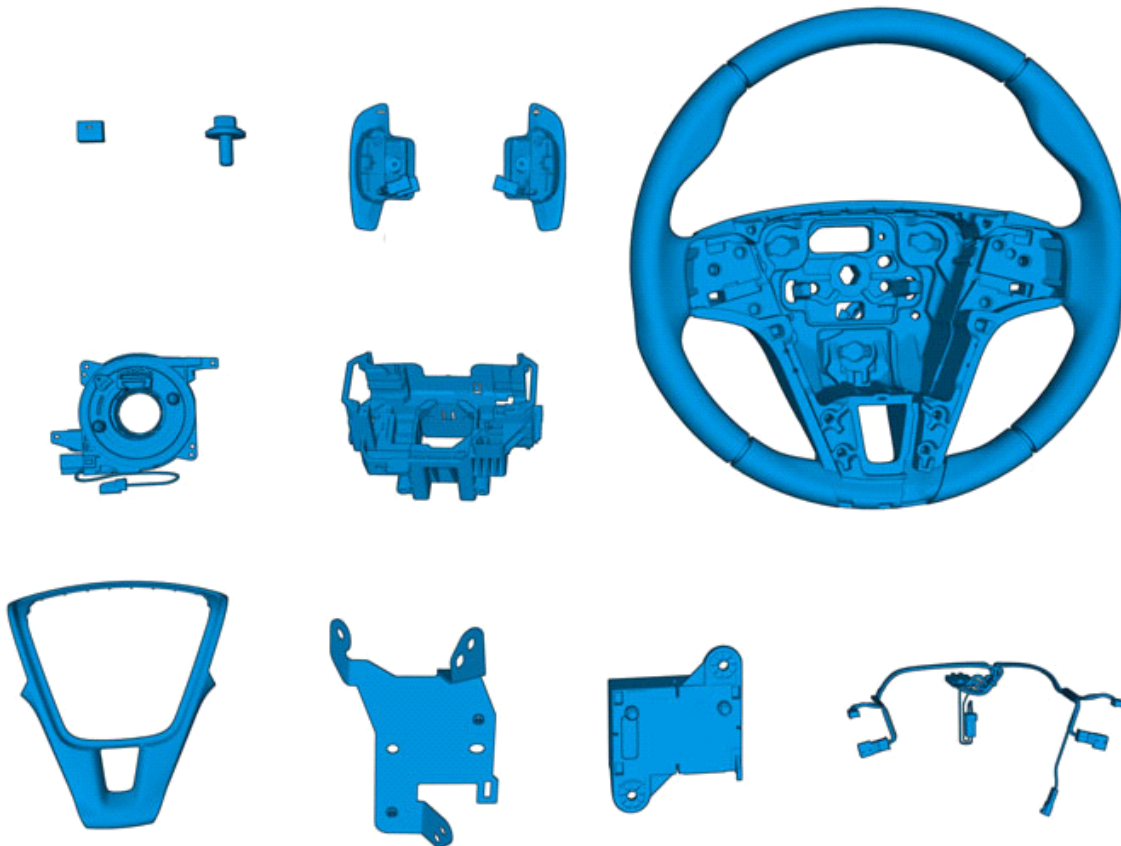


IMG-239664

Nm
lbf.ft



IMG-239667



IMG-378454



Installation instructions, accessories

Volvo Car Corporation Gothenburg, Sweden

Information

1

Read through all of the instructions before starting installation.

Notifications and warning texts are for your safety and to minimise the risk of something breaking during installation.

Ensure that all tools stated in the instructions are available before starting installation.

Certain steps in the instructions are only presented in the form of images. Explanatory text is also given for more complicated steps.

In the event of any problems with the instructions or the accessory, contact your local Volvo dealer.

Further information

2

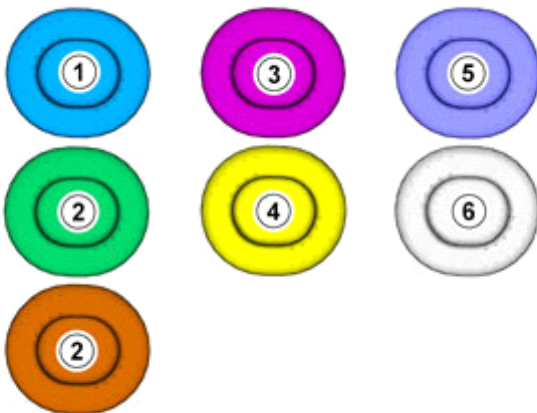
These installation instructions show installation on left hand drive cars.

When installing on right-hand drive cars, perform the procedures on the opposite side and/or mirrored.

Where the procedure differs, the right-hand version is also shown with text and image.

Color symbols

3



IMG-363036

Note!

This colour chart displays (in colour print and electronic version) the importance of the different colours used in the images of the method steps.

1. Used for focused component, the component with which you will do something.
2. Used as extra colors when you need to show or differentiate additional parts.
3. Used for attachments that are to be removed/installed. May be screws, clips, connectors, etc.
4. Used when the component is not fully removed from the vehicle but only hung to the side.
5. Used for standard tools and special tools.
6. Used as background color for vehicle components.
Steering wheel, leather, heated and paddles- 31390250 - V1.0

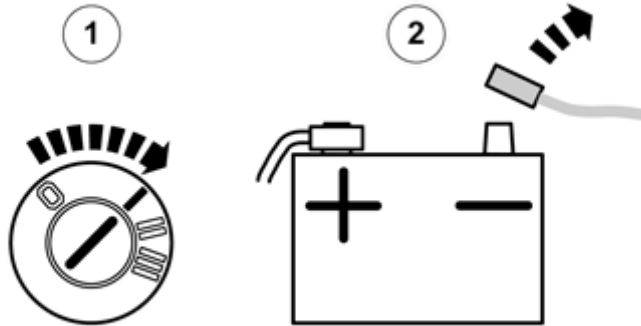


Installation instructions, accessories

Volvo Car Corporation Gothenburg, Sweden

Removal

4



Warning!

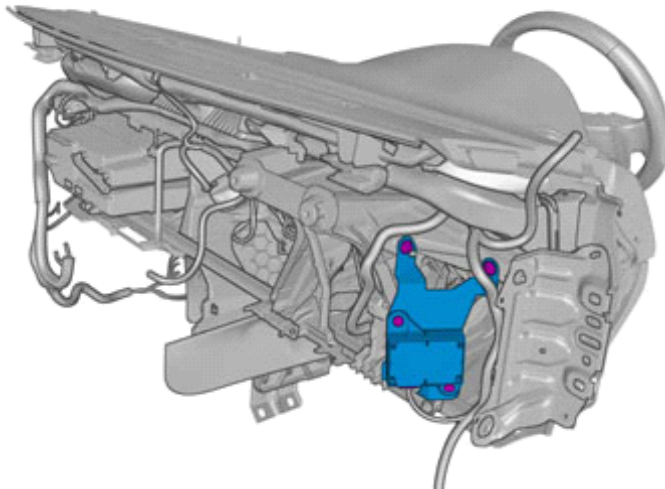
The supplemental restraint system (SRS) is active for a certain length of time after the power supply has been disconnected. Wait for a minimum of 30 seconds before disconnecting or removing any SRS components.

1. Turn on the ignition.
2. Remove the battery's negative cable.

IMG-332180

Left hand drive vehicles

5



Note!

Orientation view

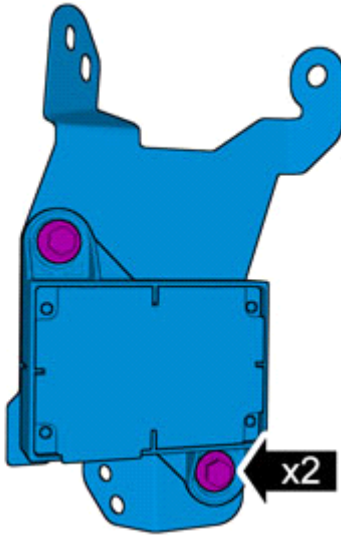
IMG-378397



Installation instructions, accessories

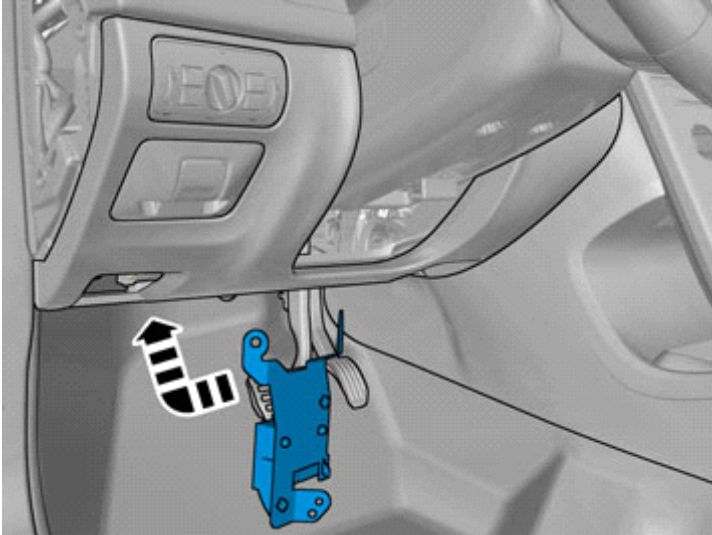
Volvo Car Corporation Gothenburg, Sweden

6



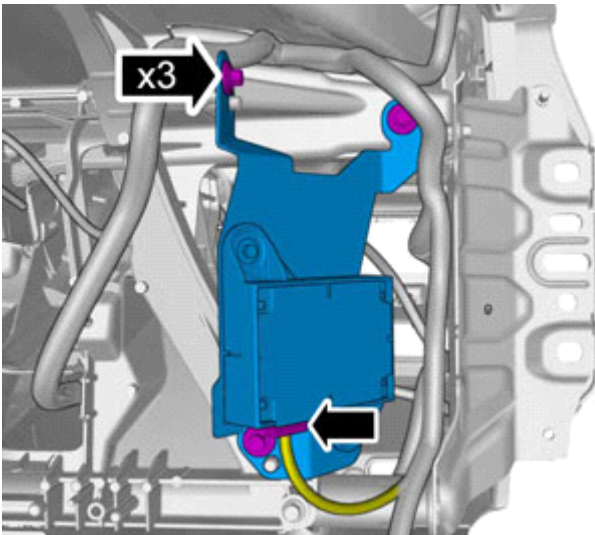
IMG-378605

7



IMG-378398

8



IMG-378400

Install the screws.

Locate the pre-routed connector.

Connect the connector.

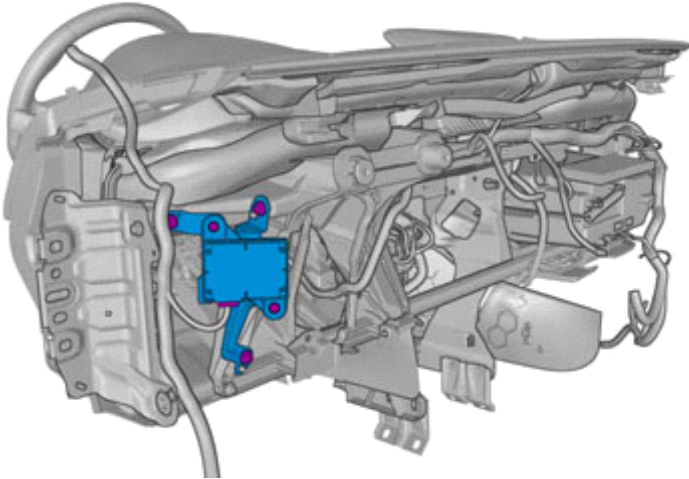


Installation instructions, accessories

Volvo Car Corporation Gothenburg, Sweden

Right-hand drive vehicles

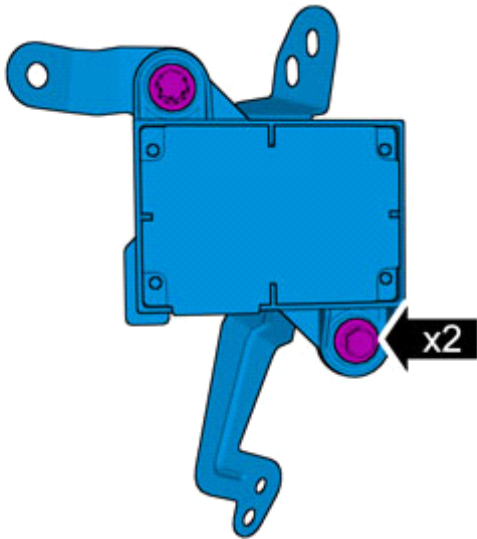
9



IMG-378402

Note!
Orientation view

10



IMG-378626



Installation instructions, accessories

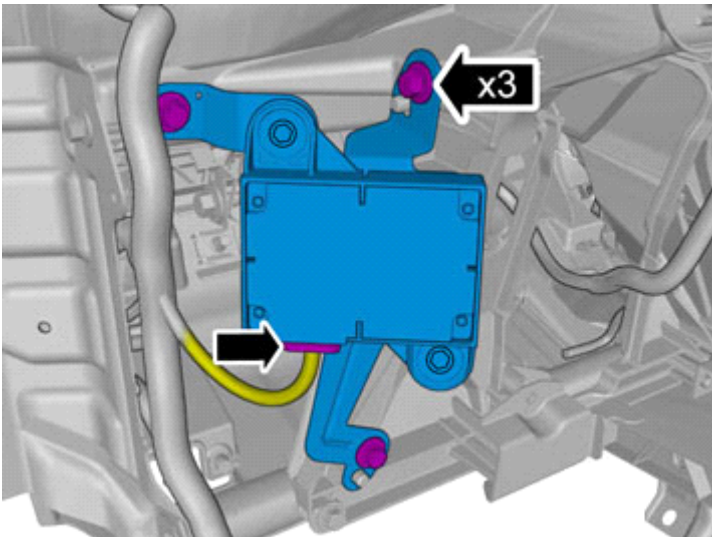
Volvo Car Corporation Gothenburg, Sweden

11



IMG-378403

12



IMG-378404

Install the screws.

Locate the pre-routed connector.

Connect the connector.

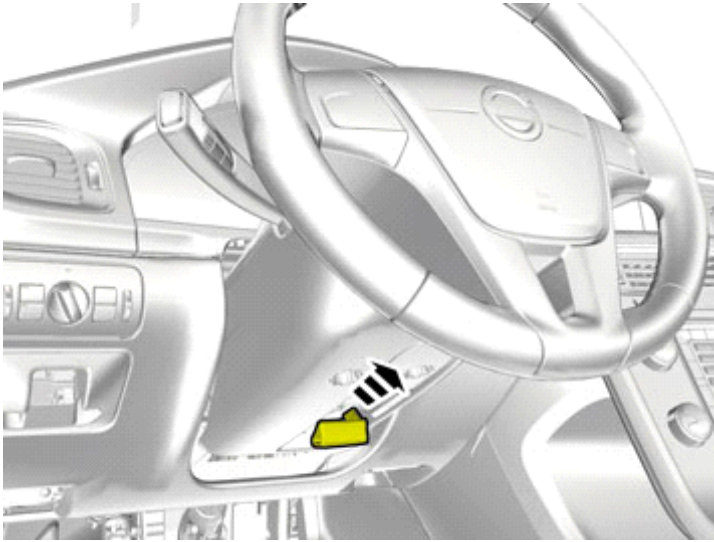
All vehicles



Installation instructions, accessories

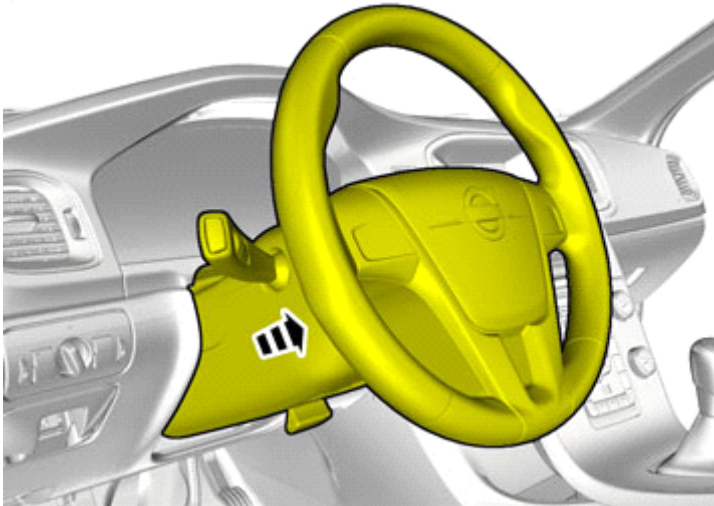
Volvo Car Corporation Gothenburg, Sweden

13



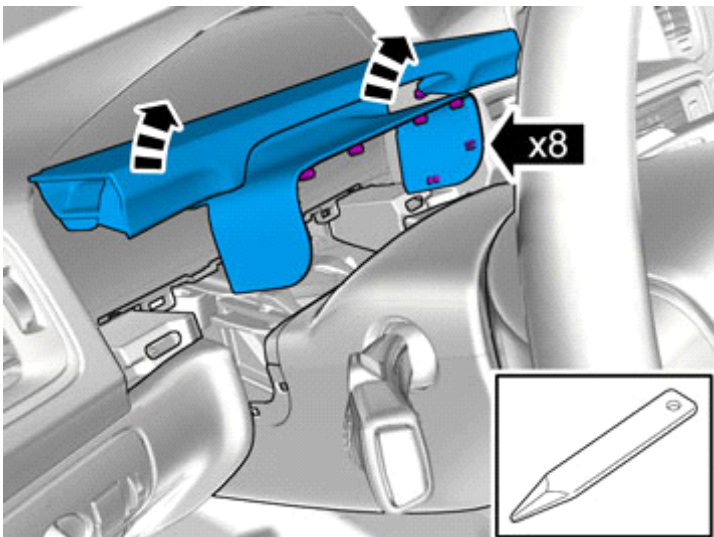
IMG-345551

14



IMG-345553

15



IMG-344722

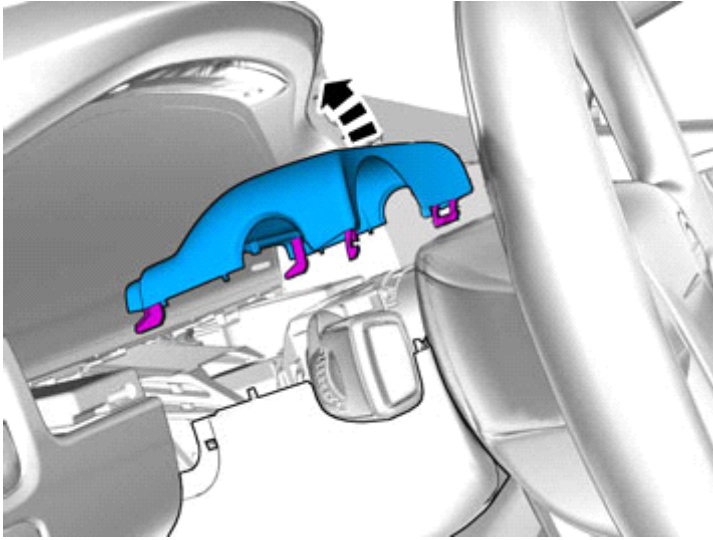
Remove the panel.



Installation instructions, accessories

Volvo Car Corporation Gothenburg, Sweden

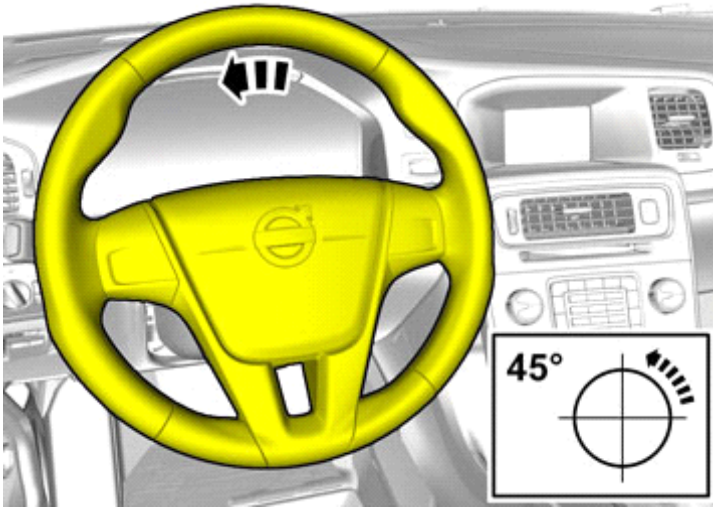
16



IMG-345554

Remove the panel.

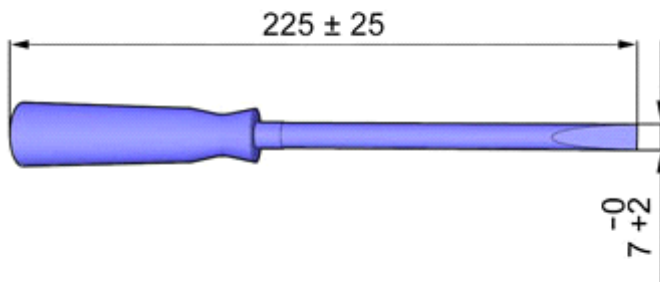
17



IMG-345555

18

mm



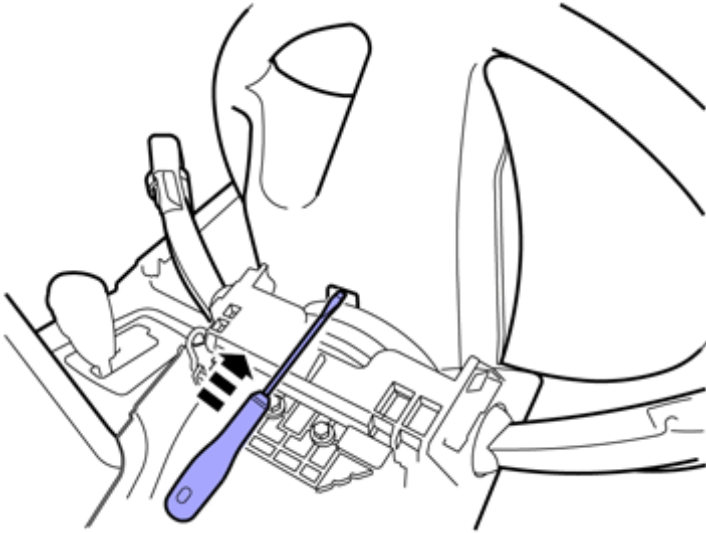
IMG-337683



Installation instructions, accessories

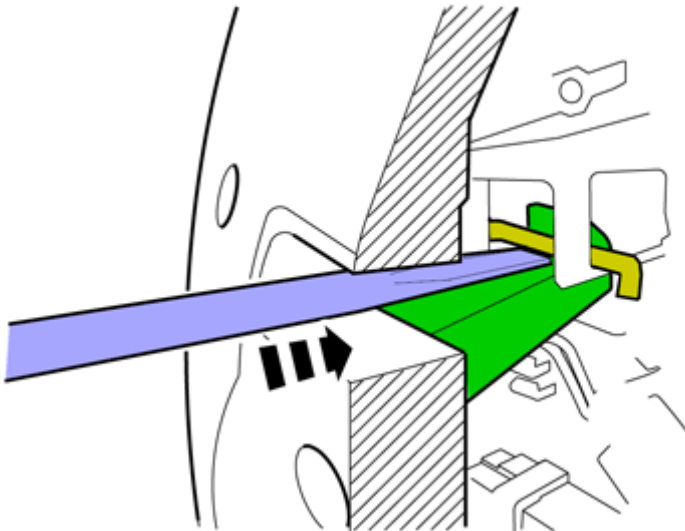
Volvo Car Corporation Gothenburg, Sweden

19



IMG-344725

20



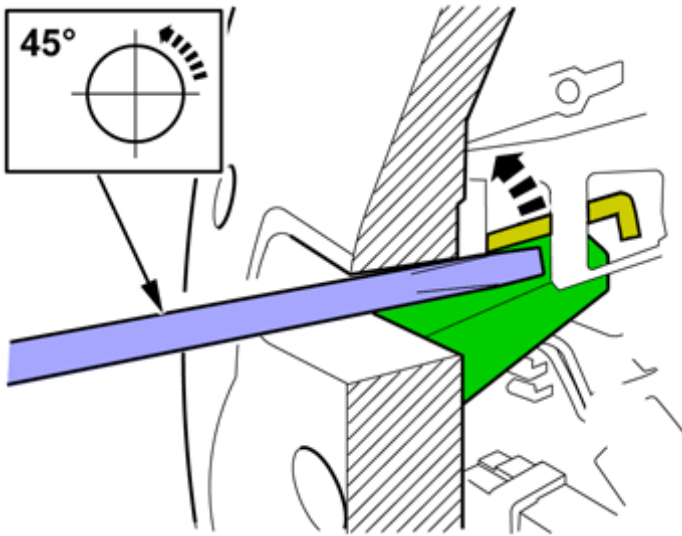
IMG-344726



Installation instructions, accessories

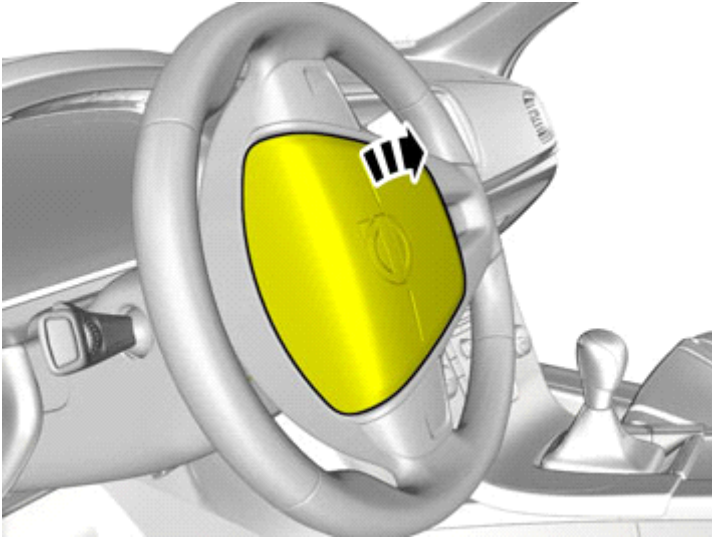
Volvo Car Corporation Gothenburg, Sweden

21



IMG-344727

22



IMG-345556

23



IMG-349359

Repeat on the other side.



Installation instructions, accessories

Volvo Car Corporation Gothenburg, Sweden

24

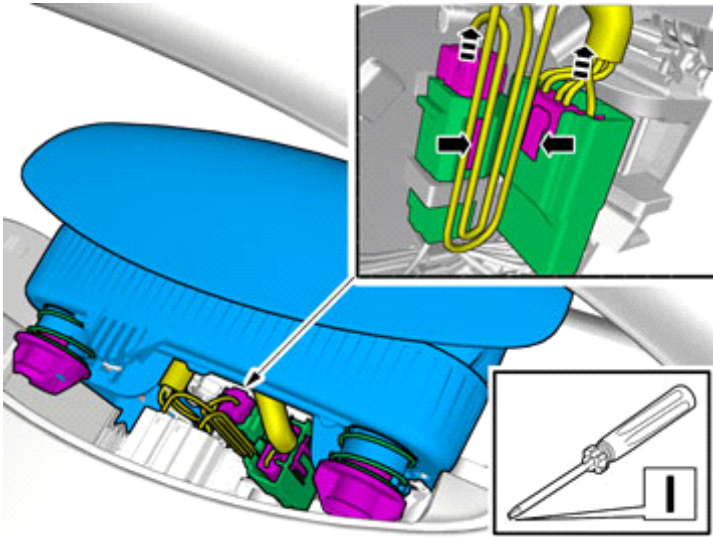


IMG-345558

Repeat the steps when removing on opposite side.

Turn the steering wheel into neutral position.

25

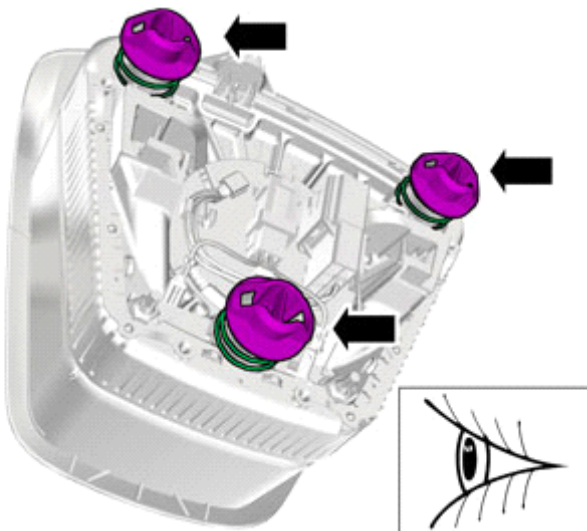


IMG-344730

Release the connector's catch.

Disconnect the connectors.

26



IMG-344731



Installation instructions, accessories

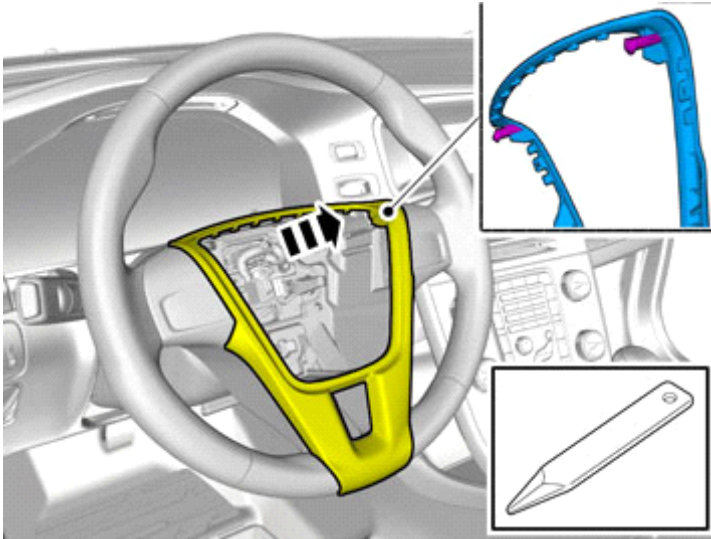
Volvo Car Corporation Gothenburg, Sweden

27

Warning!

Place the airbag module with the front side facing up in a safe storage area during work.

28



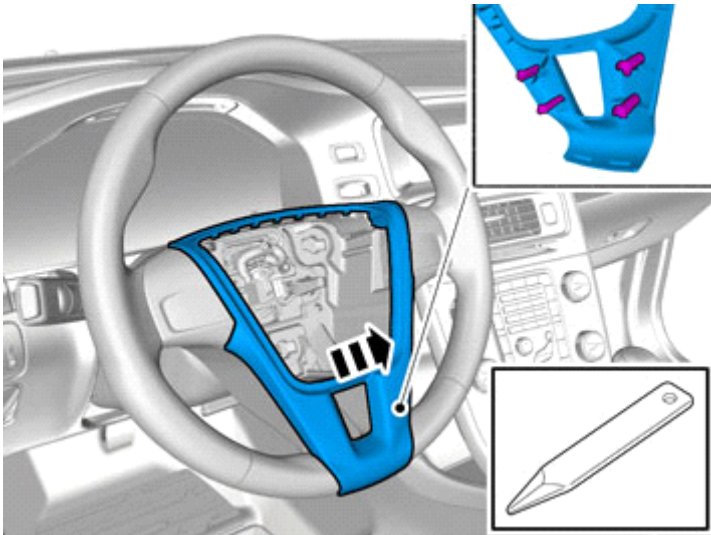
IMG-345559

Note!

This step requires considerable force.

Detach the panel.

29



IMG-345560

Note!

This step requires considerable force.

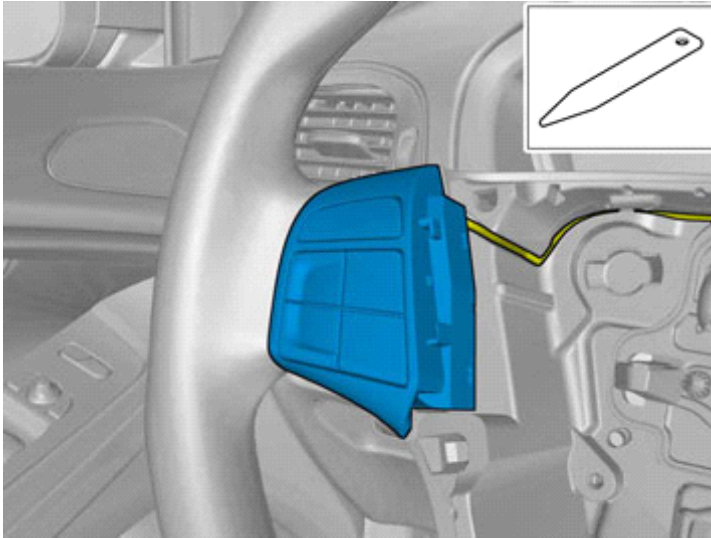
Remove the panel.



Installation instructions, accessories

Volvo Car Corporation Gothenburg, Sweden

30



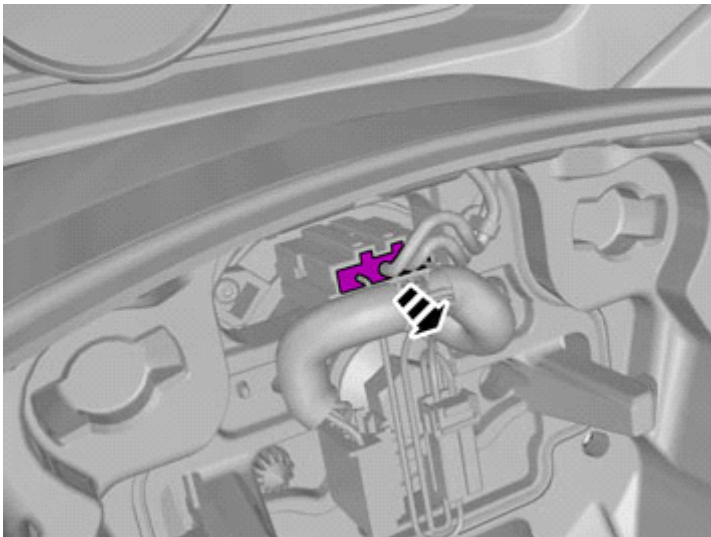
IMG-373323

Note!

This step requires considerable force.

Repeat on the other side.

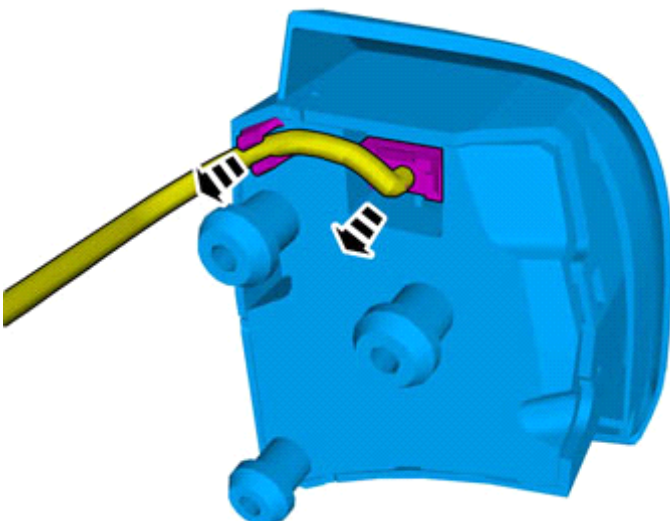
31



IMG-373322

Disconnect the connector.

32



IMG-344121

Disconnect the connector.

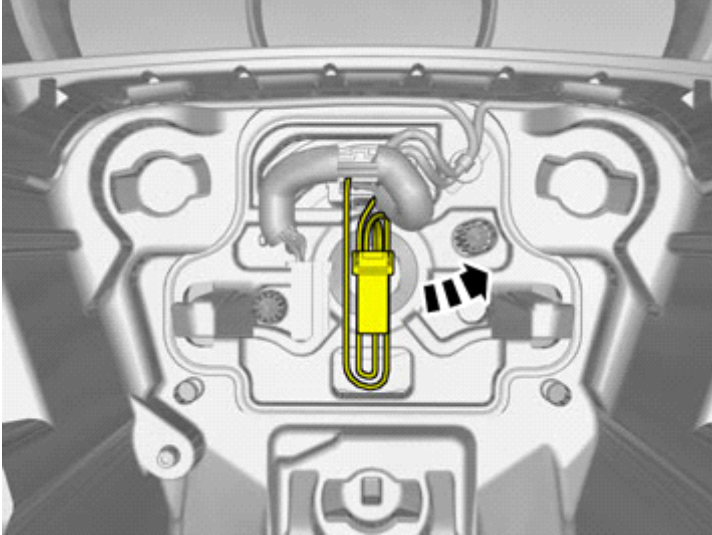
Repeat on the other side.



Installation instructions, accessories

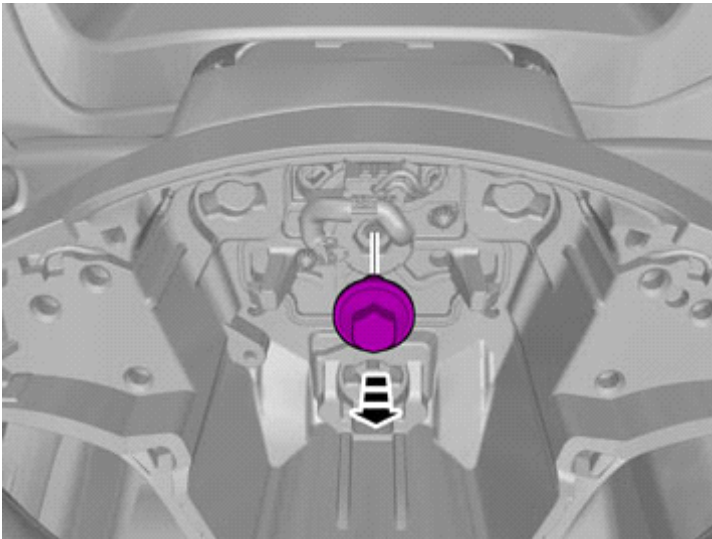
Volvo Car Corporation Gothenburg, Sweden

33



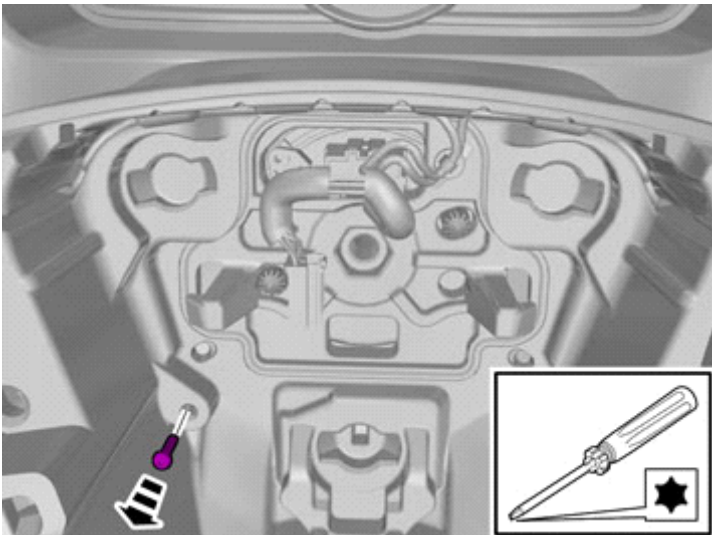
IMG-373344

34



IMG-373345

35



IMG-373339

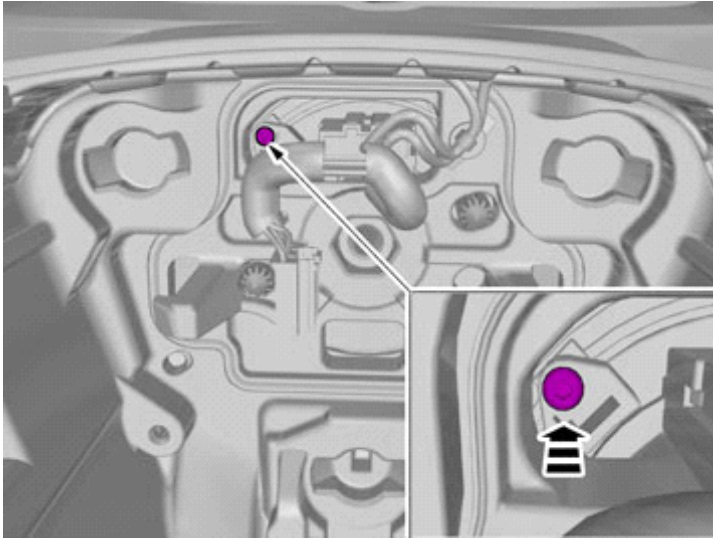
Remove the screws.



Installation instructions, accessories

Volvo Car Corporation Gothenburg, Sweden

36



IMG-373341

Reinstall the screw.

Use hands only.

37



IMG-373348

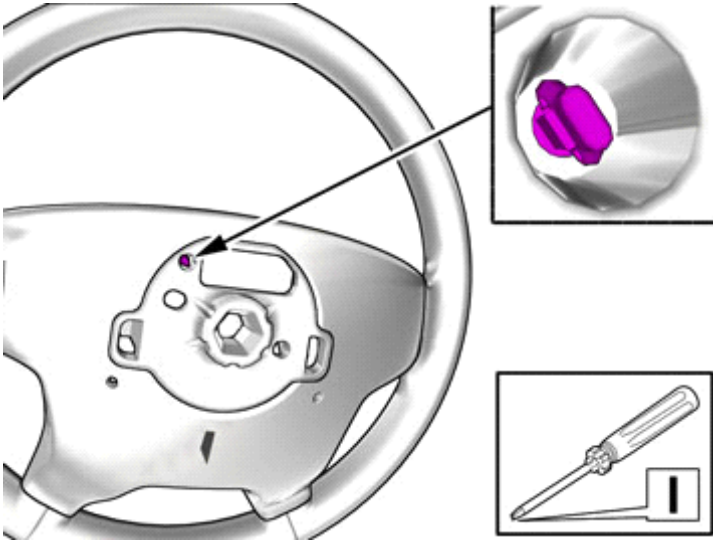
Remove the part carefully



Installation instructions, accessories

Volvo Car Corporation Gothenburg, Sweden

38

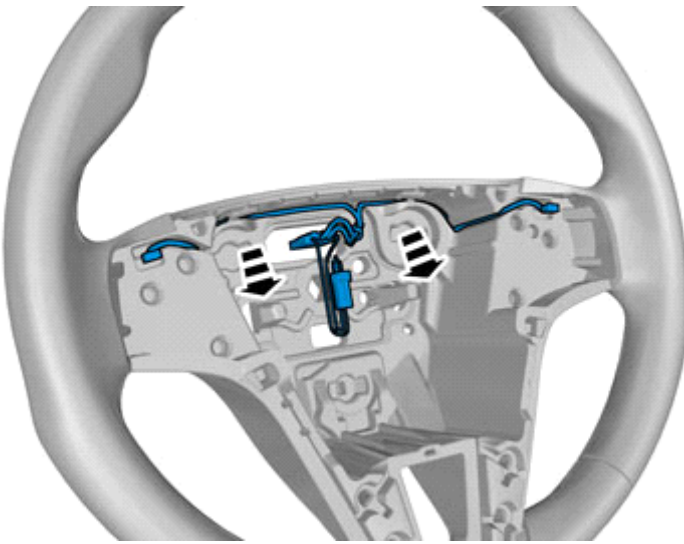


Remove the cable harness clips.

IMG-344511

Detailed description: This diagram shows the back of a steering wheel hub. A purple cable harness clip is highlighted with a red arrow. An inset image shows a close-up of the clip being removed from the hub. Another inset shows a screwdriver with a red handle and a black tip, used for the removal process.

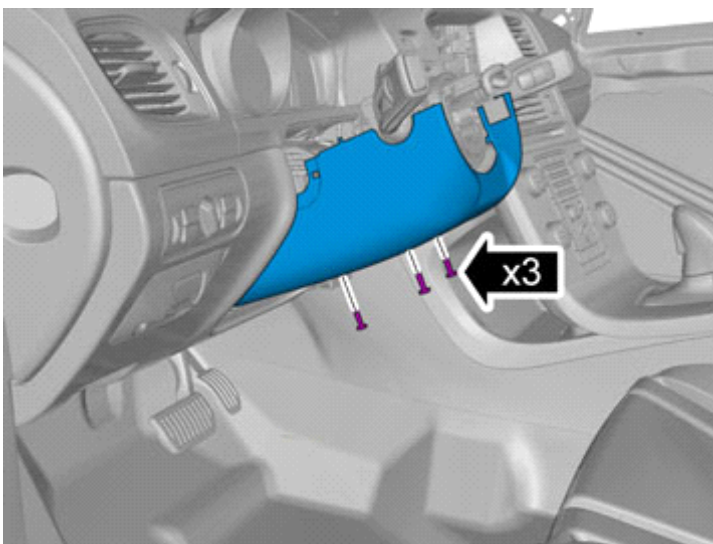
39



IMG-373349

Detailed description: This diagram shows the back of the steering wheel hub with blue cable harness clips attached. The clips are connected to the hub's internal wiring.

40



Remove the screws.

IMG-378827

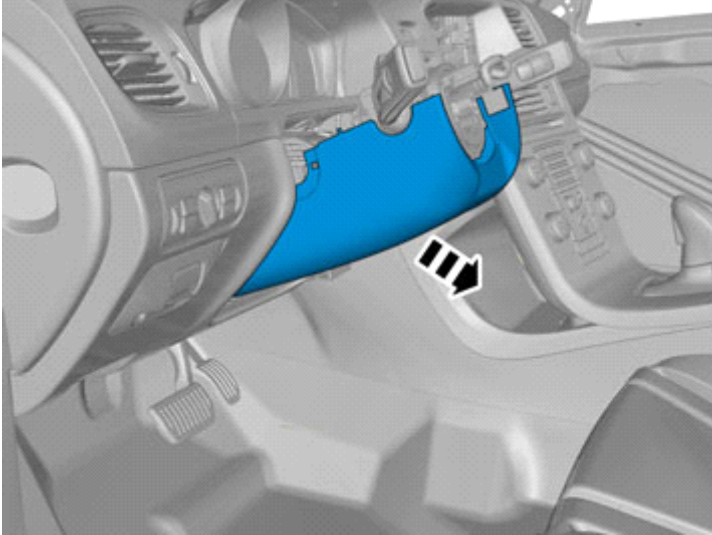
Detailed description: This diagram shows the back of the steering wheel hub with a blue cable harness clip attached. Three purple screws are shown being removed from the hub. A red arrow points to the screws with the text 'x3'.



Installation instructions, accessories

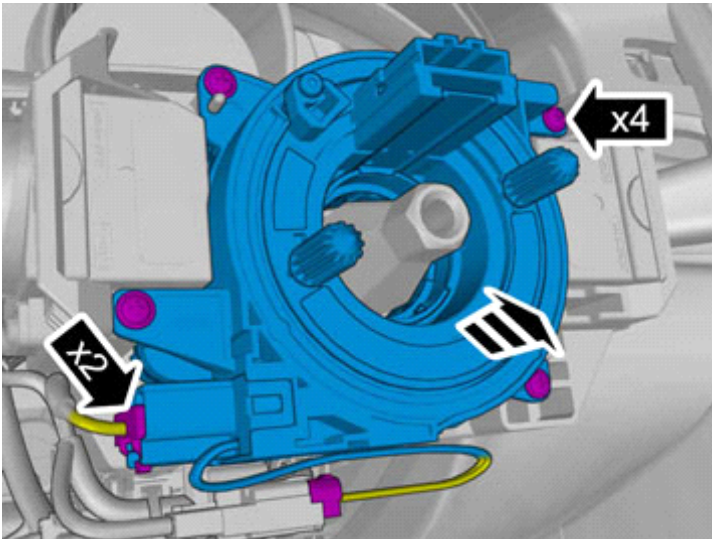
Volvo Car Corporation Gothenburg, Sweden

41



IMG-378828

42

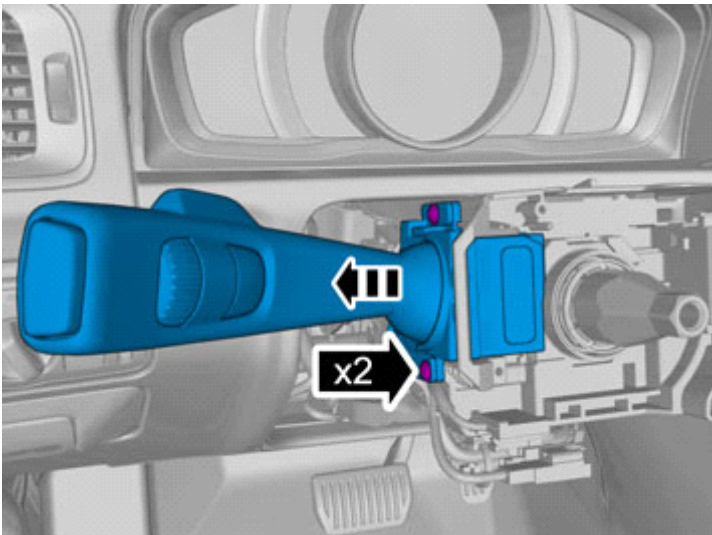


IMG-378829

Remove the screws.

Disconnect the connectors.

43



IMG-378830

Remove the screws.

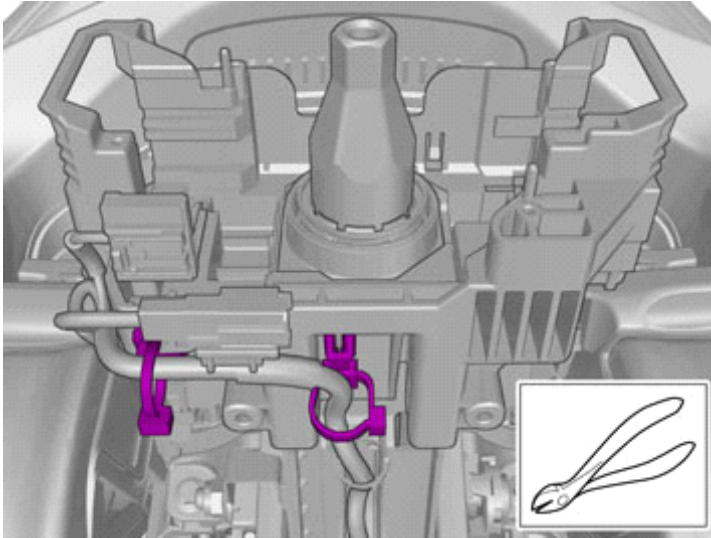
Repeat on the other side.



Installation instructions, accessories

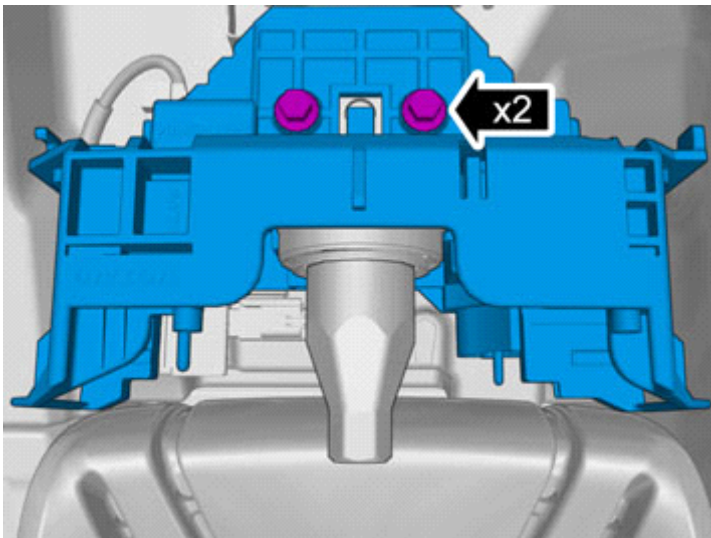
Volvo Car Corporation Gothenburg, Sweden

44



IMG-378831

45



IMG-378855

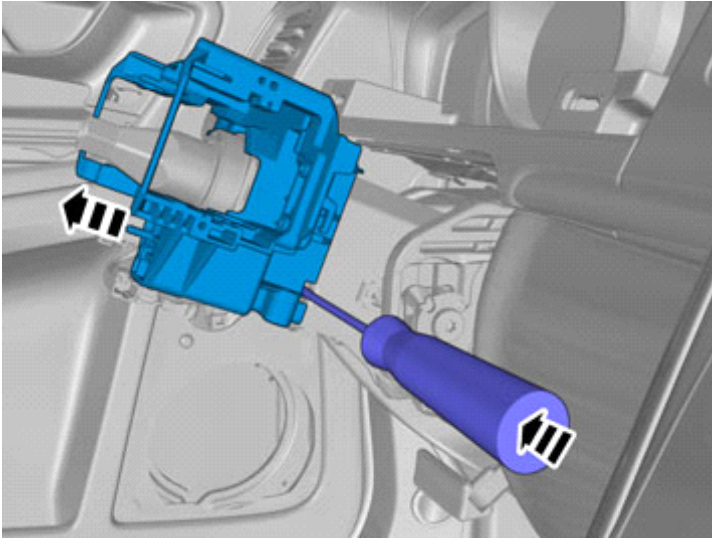
Remove the screws.



Installation instructions, accessories

Volvo Car Corporation Gothenburg, Sweden

46

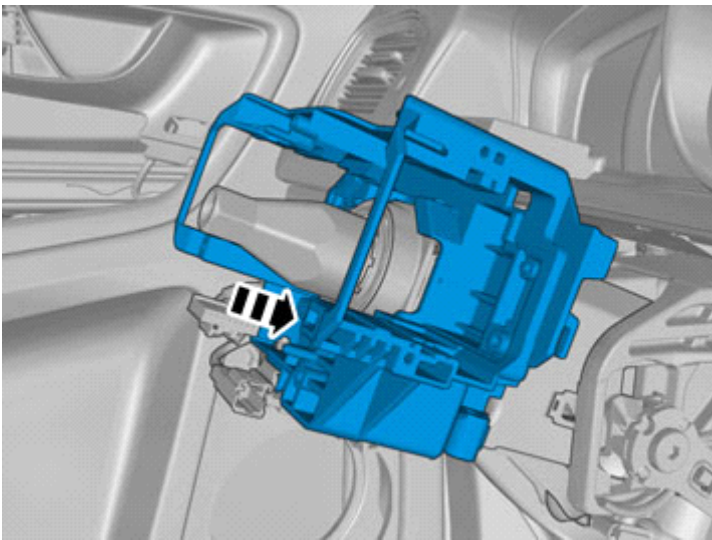


IMG-378832

Release the lock.

Accessory installation

47



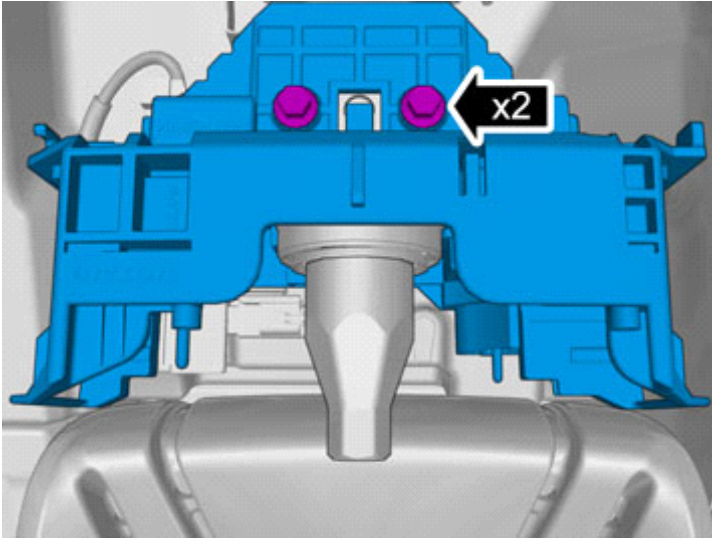
IMG-378854



Installation instructions, accessories

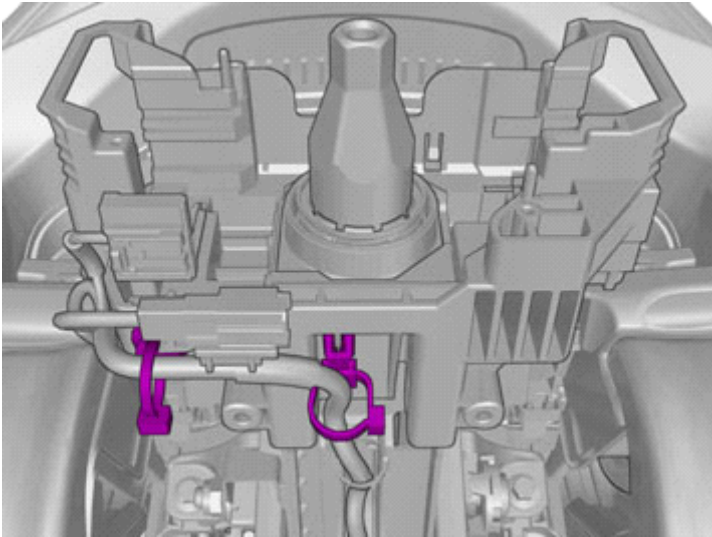
Volvo Car Corporation Gothenburg, Sweden

48



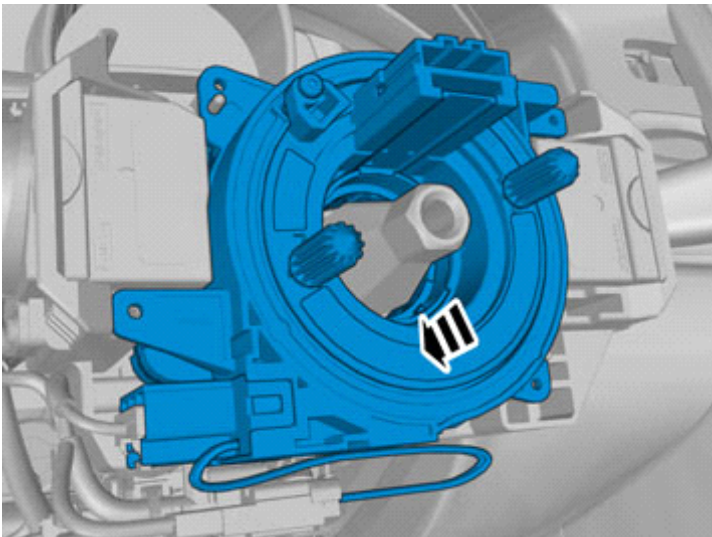
IMG-378855

49



IMG-378856

50



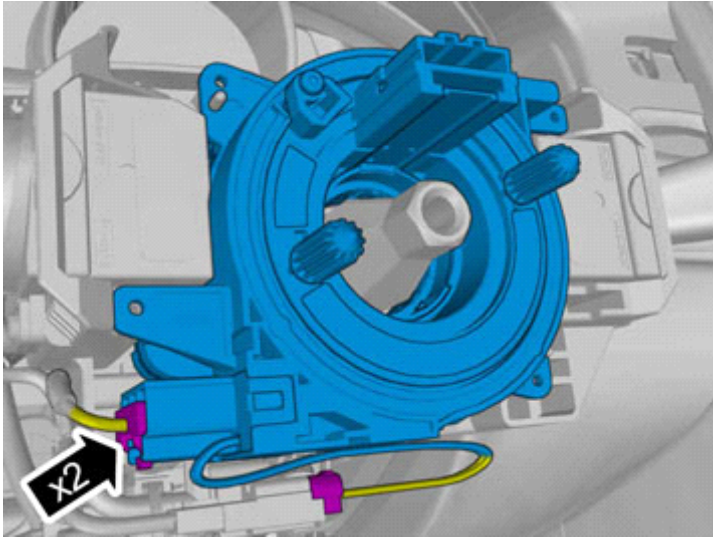
IMG-378878



Installation instructions, accessories

Volvo Car Corporation Gothenburg, Sweden

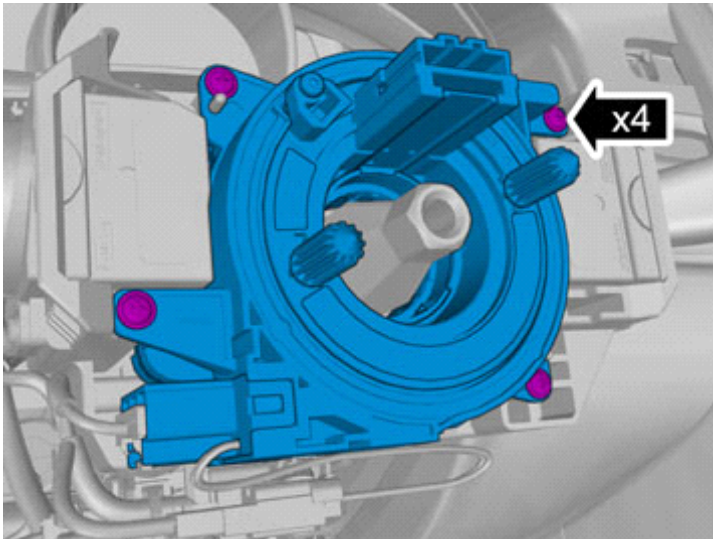
51



IMG-378852

Connect the connectors.

52



IMG-378853

Install the screws.

Installation



Installation instructions, accessories

Volvo Car Corporation Gothenburg, Sweden

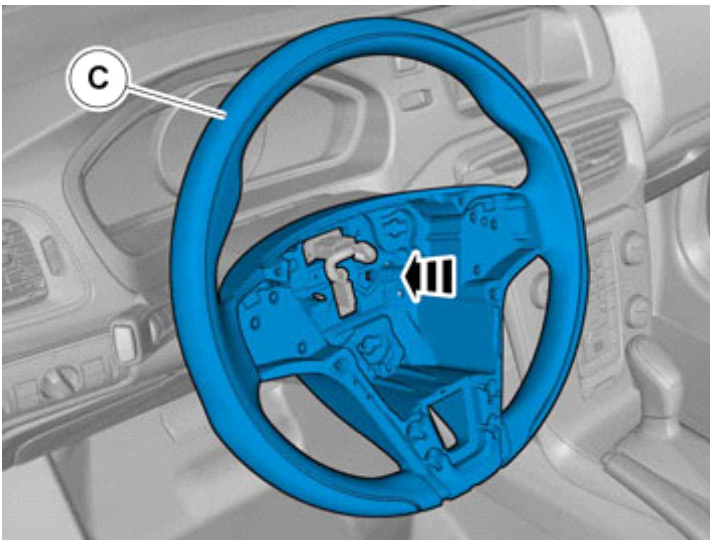
53

Reinstall the removed parts in reverse order.

IMG-377070

Accessory installation

54



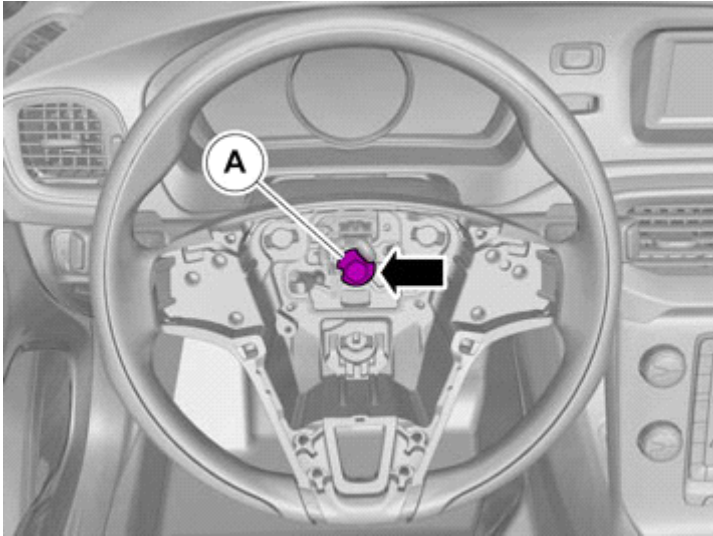
IMG-373366



Installation instructions, accessories

Volvo Car Corporation Gothenburg, Sweden

55



IMG-373383

Install the screw.

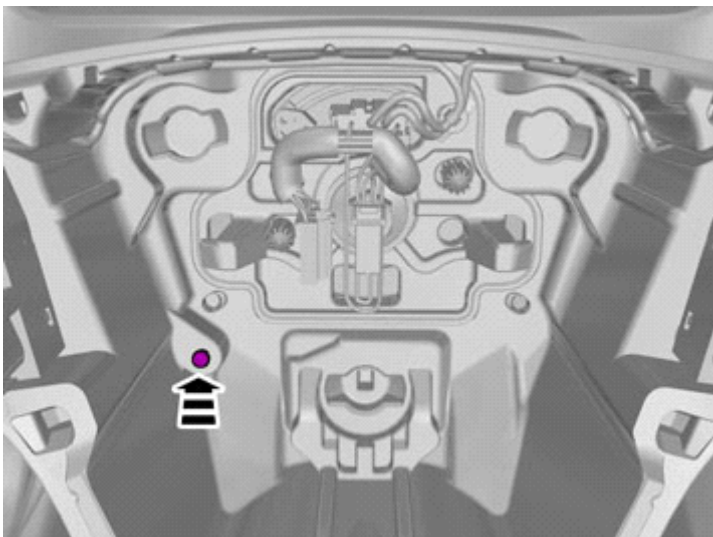
56



IMG-373392

Remove the screw.

57



IMG-373394

Install the screw.



Installation instructions, accessories

Volvo Car Corporation Gothenburg, Sweden

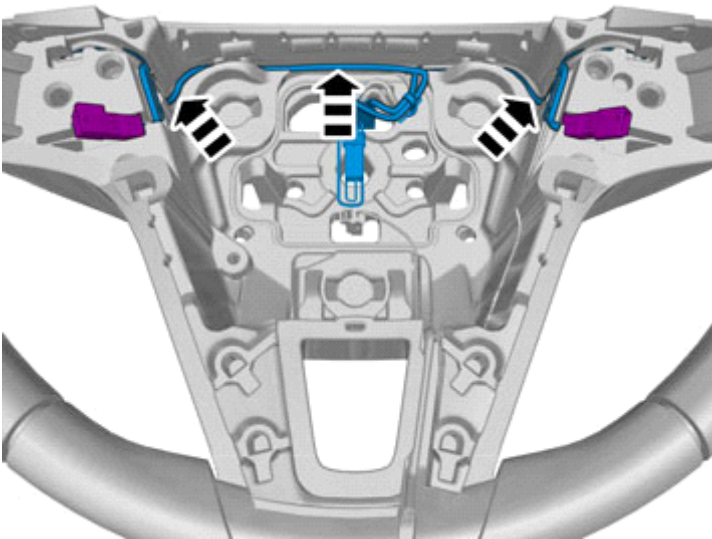
58



IMG-373623

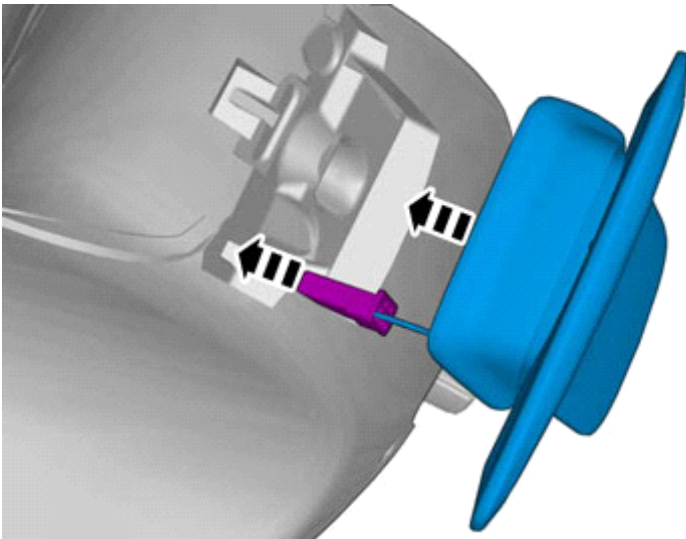
Tightening torque: Steering wheel to steering column (center screw) , 48 Nm

59



IMG-378459

60



IMG-378449

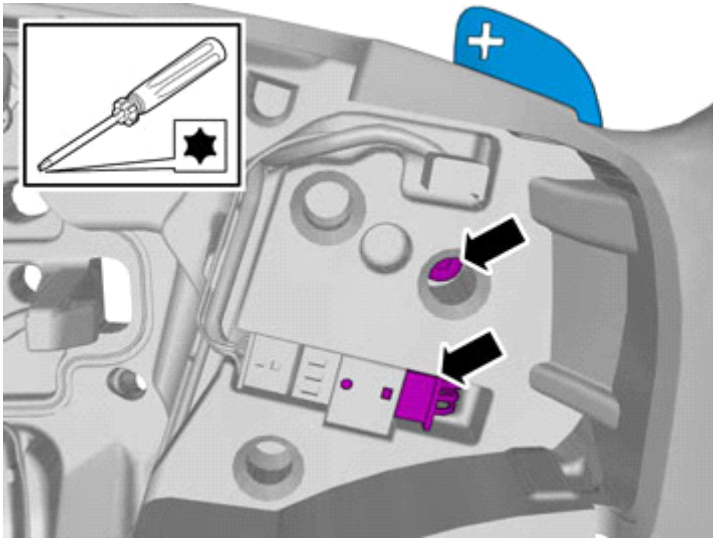
Repeat on the other side.



Installation instructions, accessories

Volvo Car Corporation Gothenburg, Sweden

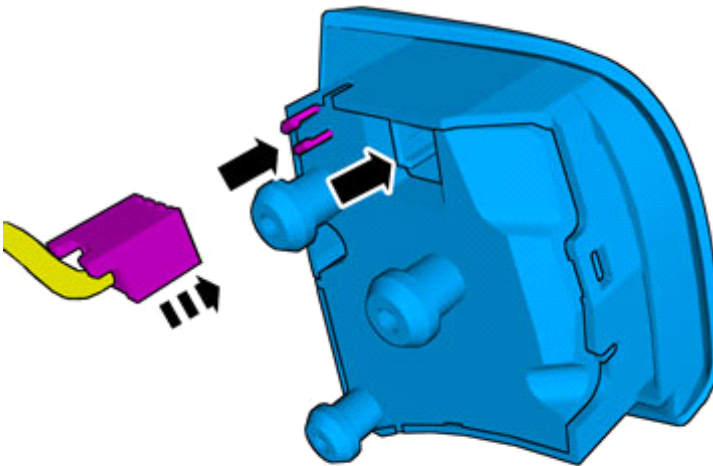
61



IMG-378450

Repeat on the other side.

62



IMG-344510

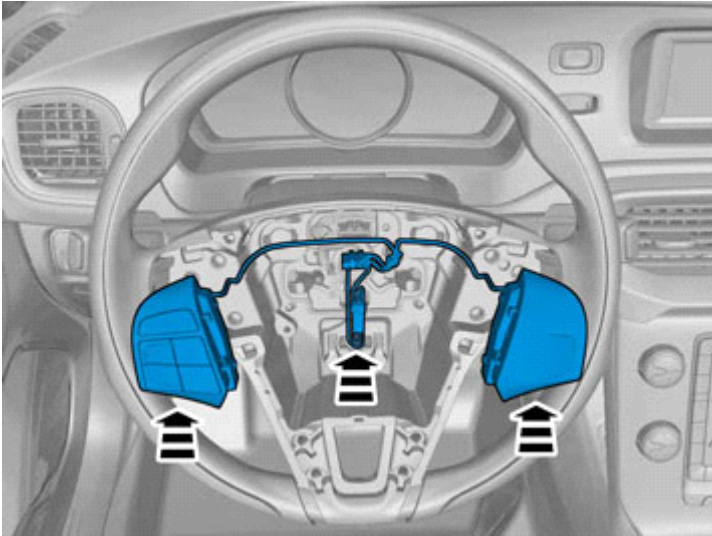
Repeat on the other side.



Installation instructions, accessories

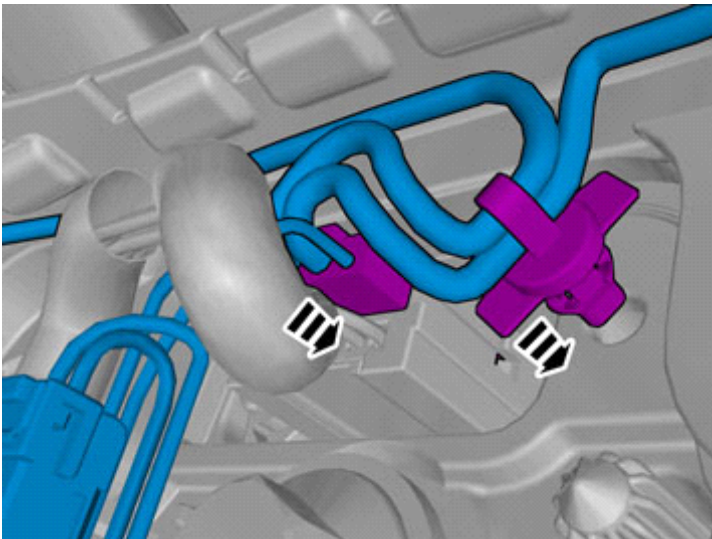
Volvo Car Corporation Gothenburg, Sweden

63



IMG-373385

64

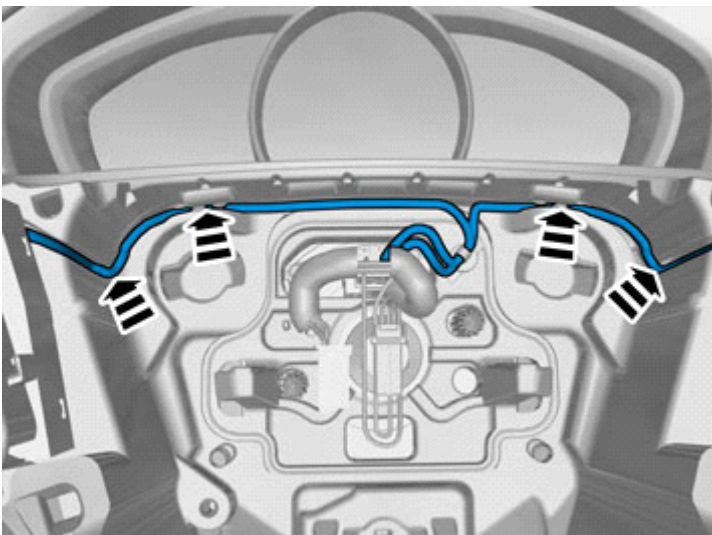


IMG-373389

Connect the connector.

Install the clip(s).

65



IMG-373390

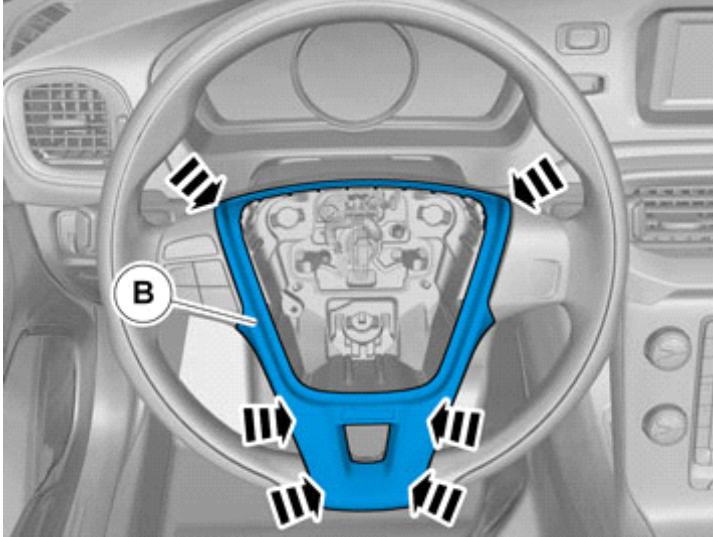
Install the cable.



Installation instructions, accessories

Volvo Car Corporation Gothenburg, Sweden

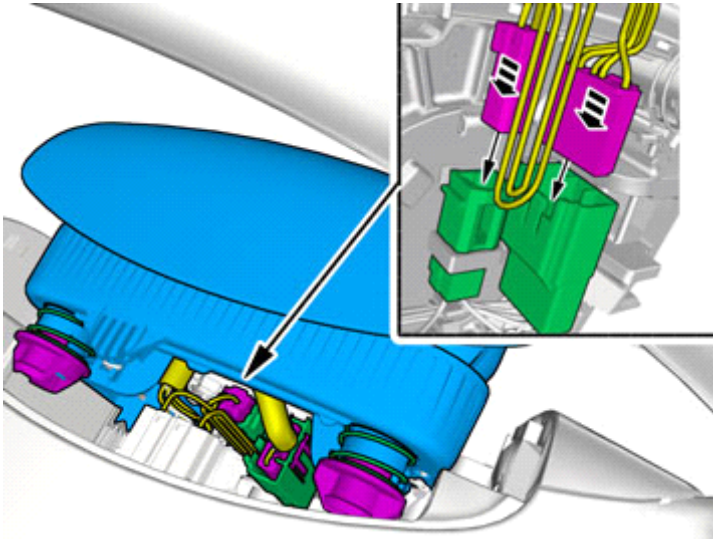
66



IMG-373388

Install the panel.

67



IMG-344748

Connect the connectors.

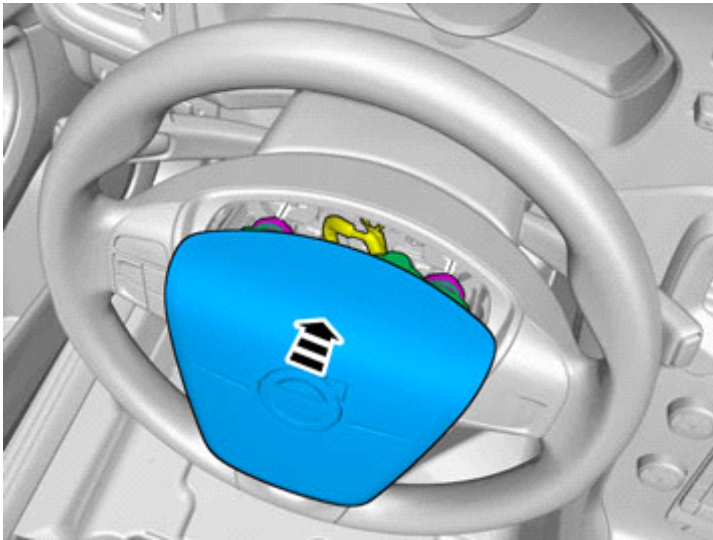
Installation



Installation instructions, accessories

Volvo Car Corporation Gothenburg, Sweden

68



IMG-349387

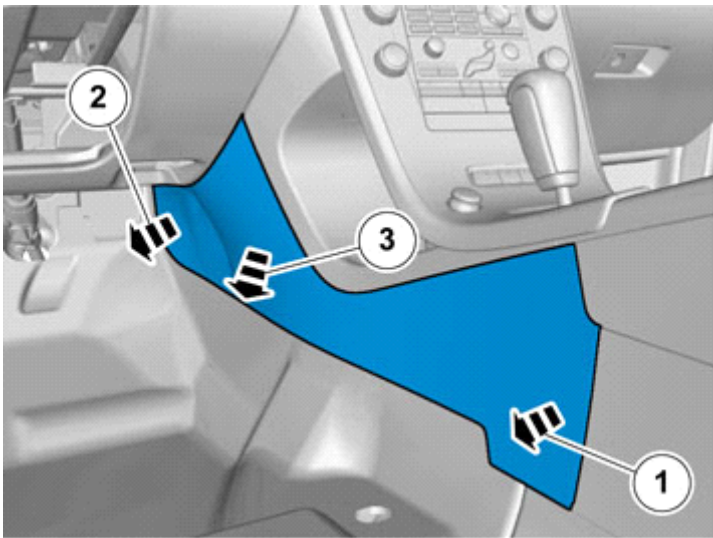
Caution!

Make sure that no part of the wiring harness is trapped.

Reinstall the removed parts in reverse order.

Removal

69



IMG-292804

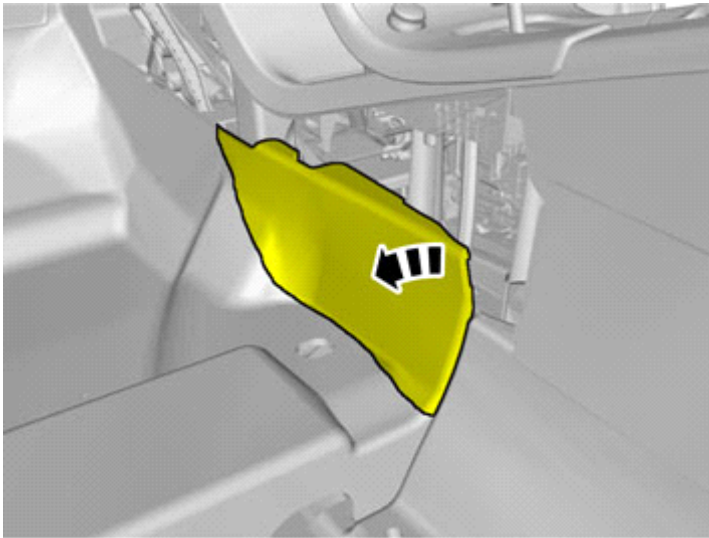
Remove the panel.



Installation instructions, accessories

Volvo Car Corporation Gothenburg, Sweden

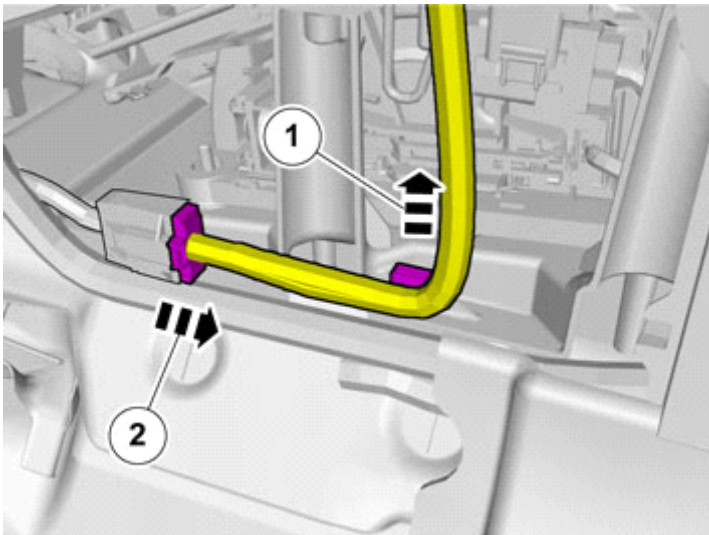
70



IMG-292806

Fold the carpet to the side.

71

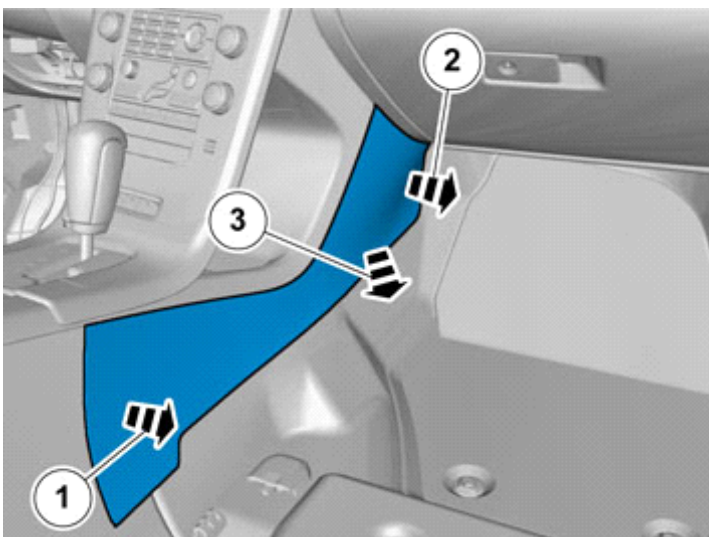


IMG-292823

Unhook the cable harness clips.

Disconnect the connector.

72



IMG-292826

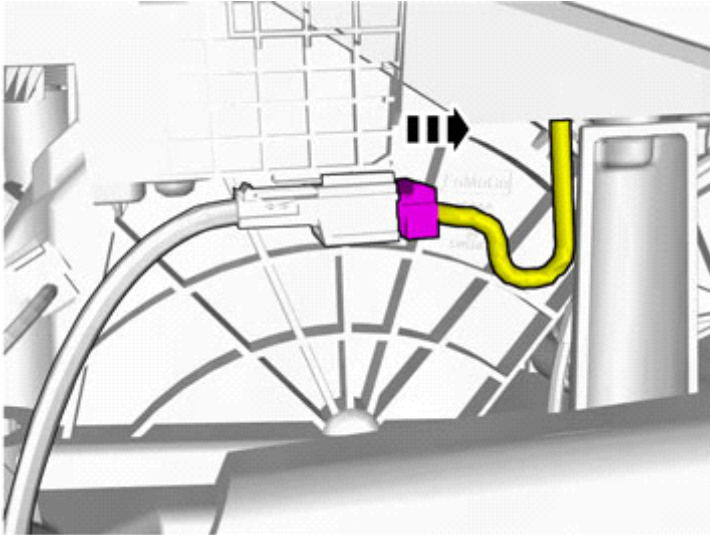
Remove the panel.



Installation instructions, accessories

Volvo Car Corporation Gothenburg, Sweden

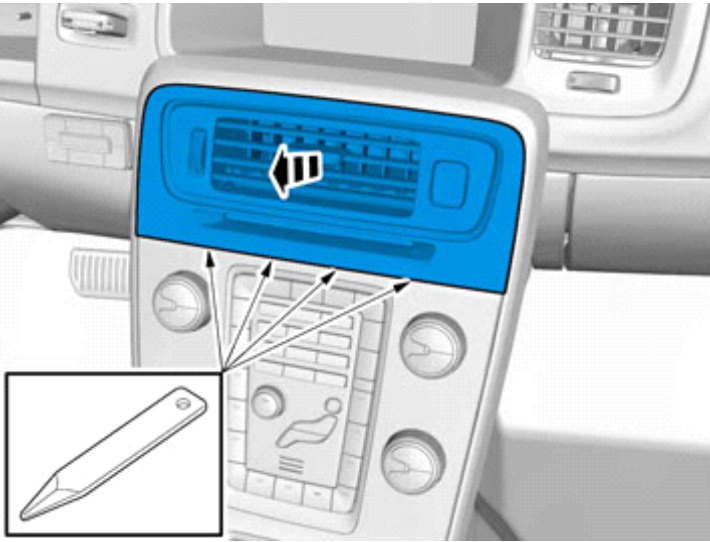
73



IMG-292827

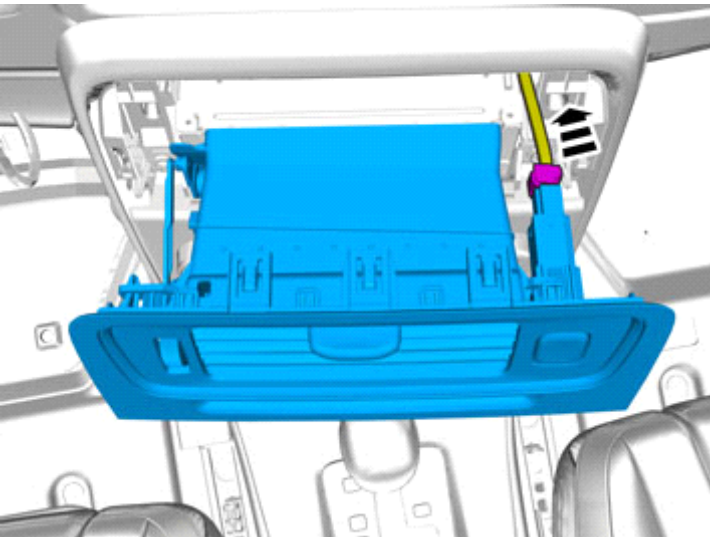
Disconnect the connector, if applicable.

74



IMG-346236

75



IMG-340984

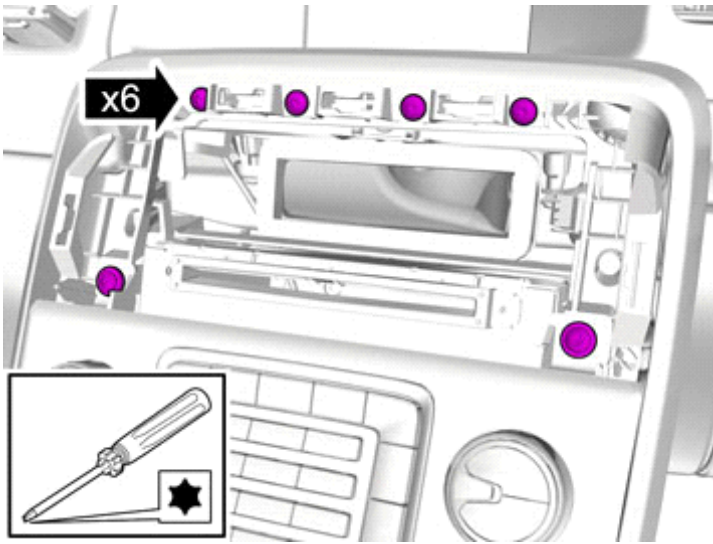
Disconnect the connector.



Installation instructions, accessories

Volvo Car Corporation Gothenburg, Sweden

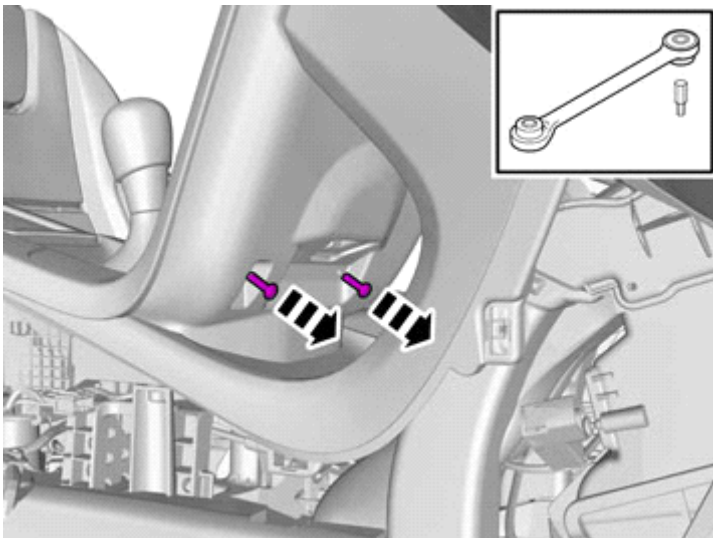
76



IMG-340985

Remove the screws.

77



IMG-355818

Remove the screws.

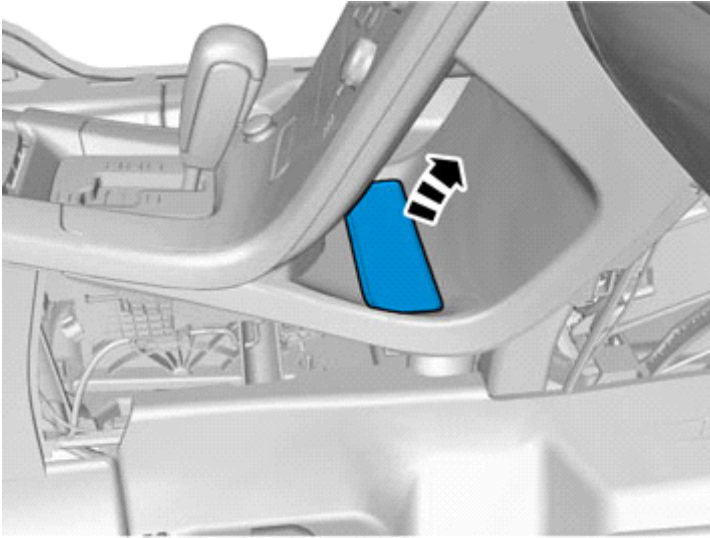
Cars with automatic transmissions



Installation instructions, accessories

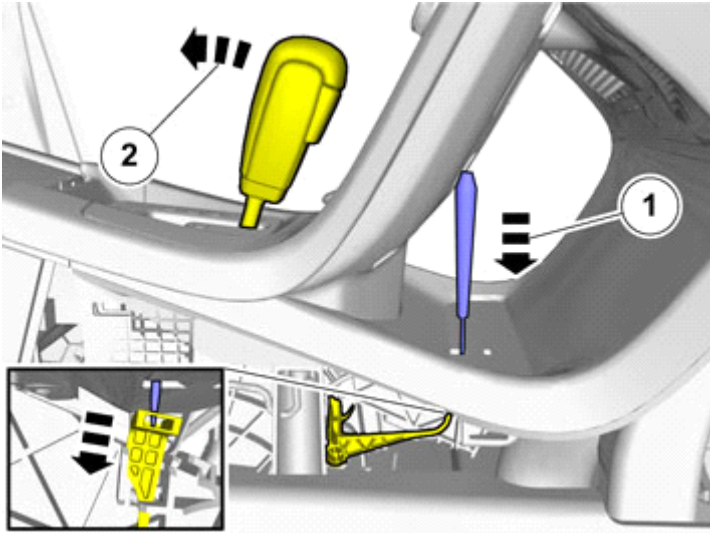
Volvo Car Corporation Gothenburg, Sweden

78



IMG-293006

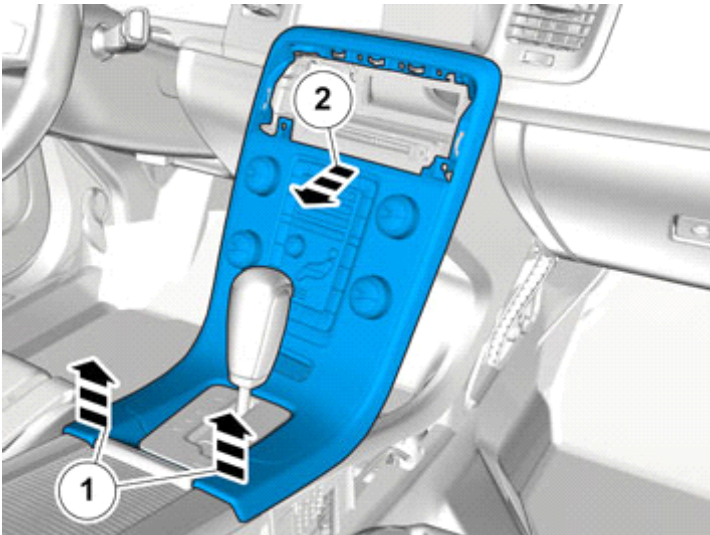
79



IMG-293007

Release the shift-lock function.

80



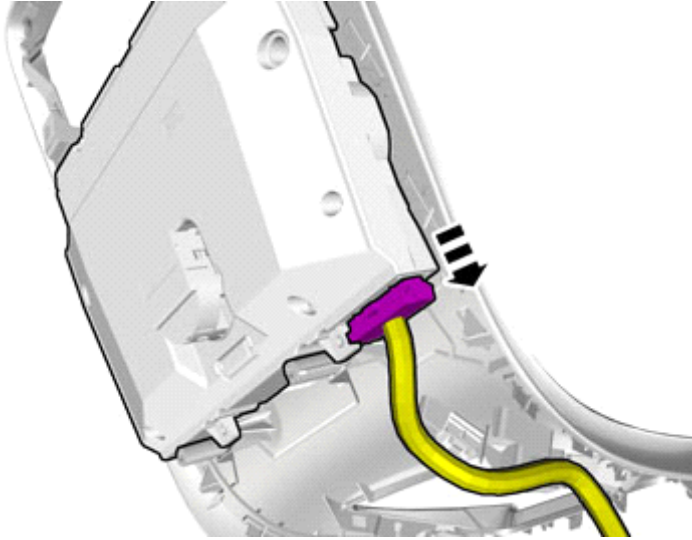
IMG-340981



Installation instructions, accessories

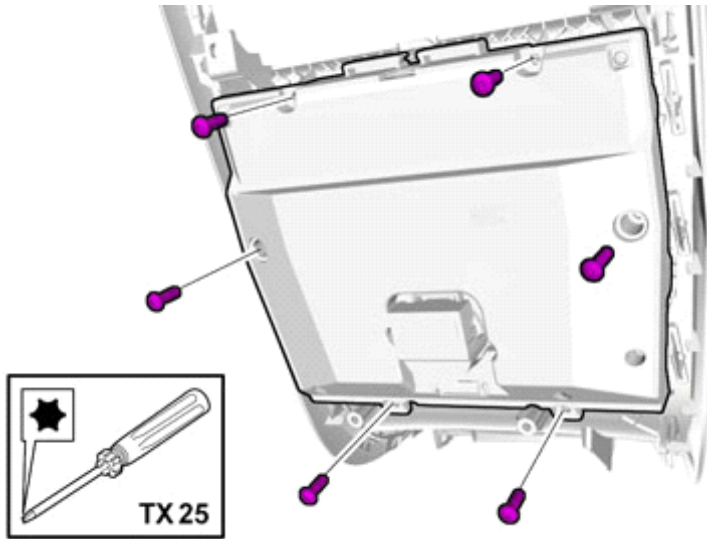
Volvo Car Corporation Gothenburg, Sweden

81



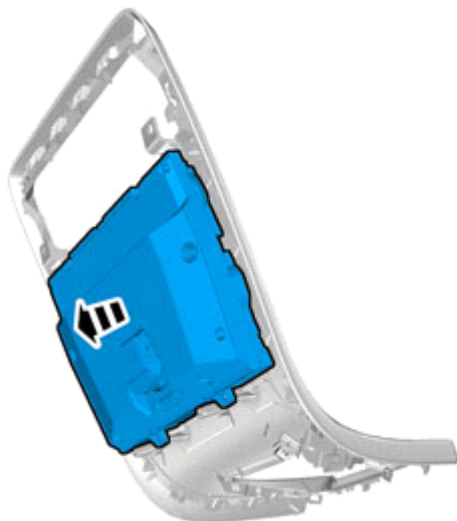
IMG-340604

82



IMG-340605

83



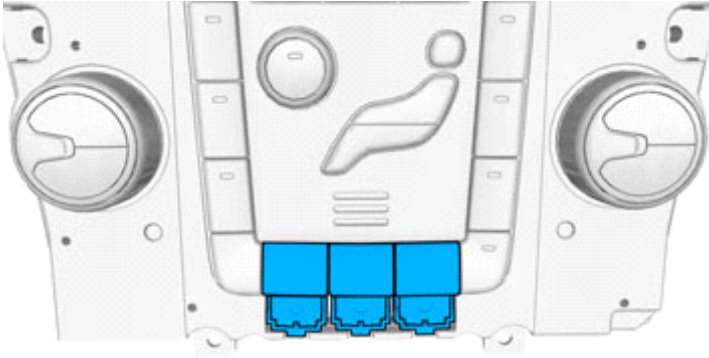
IMG-340607



Installation instructions, accessories

Volvo Car Corporation Gothenburg, Sweden

84

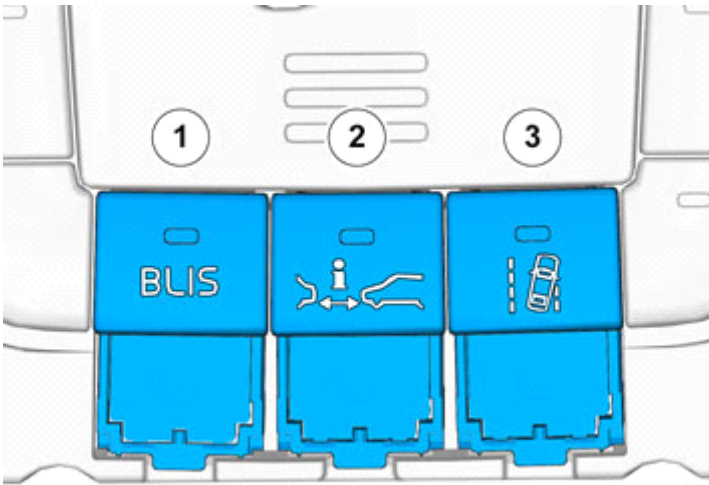


Note!
Orientation view

Select the first free position closest to the driver.

IMG-381763

85



If all locations for the switch are occupied a switch with function must be removed in priority order as illustrated.

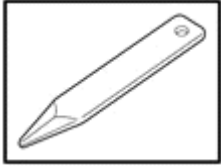
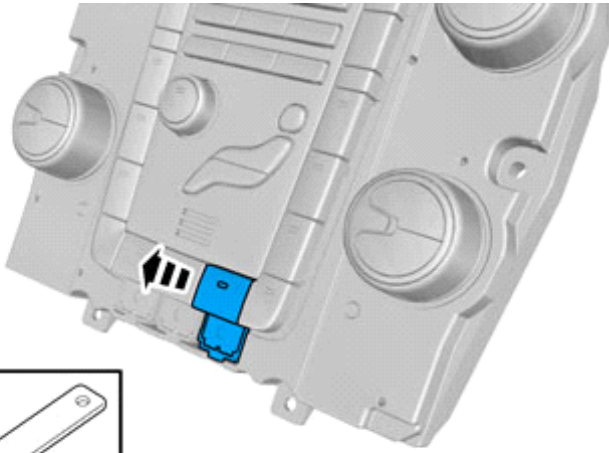
IMG-382076



Installation instructions, accessories

Volvo Car Corporation Gothenburg, Sweden

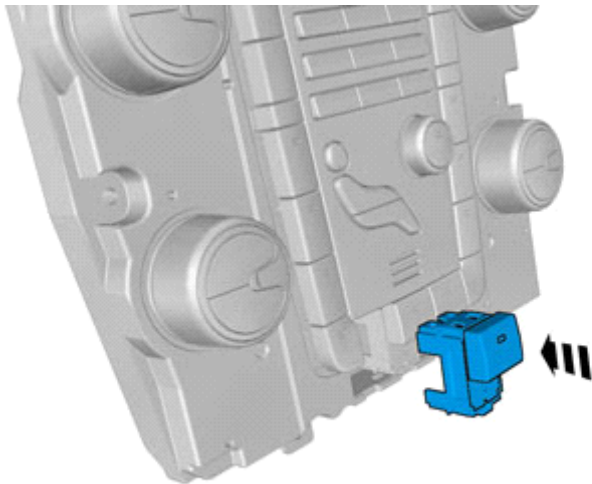
86



IMG-380450

Accessory installation

87



IMG-382543

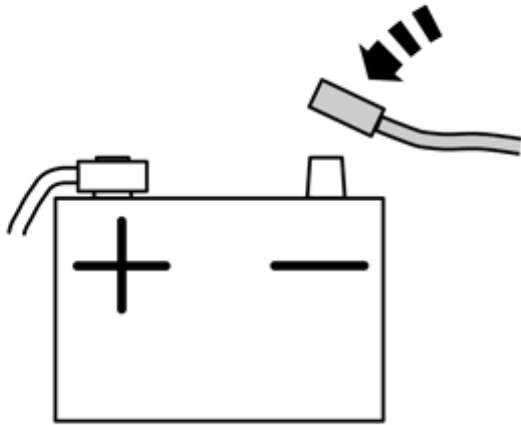
All vehicles



Installation instructions, accessories

Volvo Car Corporation Gothenburg, Sweden

88

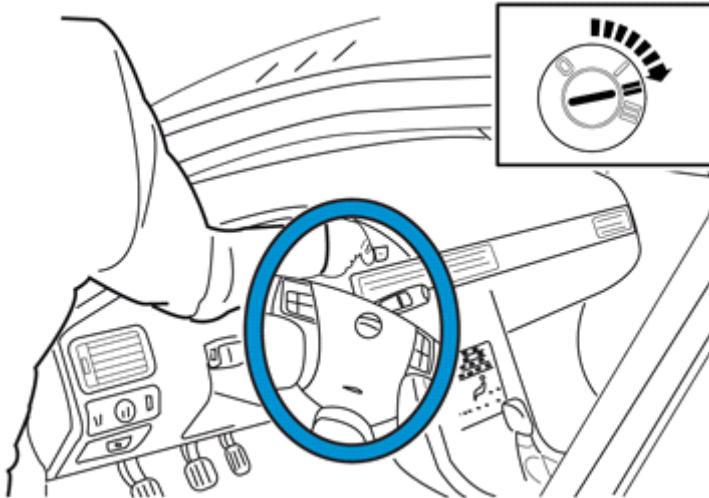


IMG-336901

Reinstall the removed parts in reverse order.

Reinstall the battery's negative cable.

89



IMG-336904

Warning!

When switching the ignition on for the first time after a battery disconnect and connect, make sure to stand outside the vehicle and only reach into the vehicle keeping clear of the air bag deployment areas.

90

VIDA

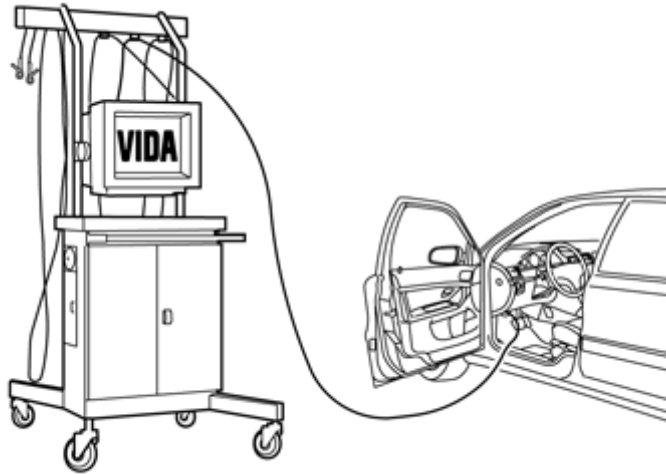
IMG-275777



Installation instructions, accessories

Volvo Car Corporation Gothenburg, Sweden

91



IMG-242268

Download software (application) for the accessory's function according to the service information in VIDA.

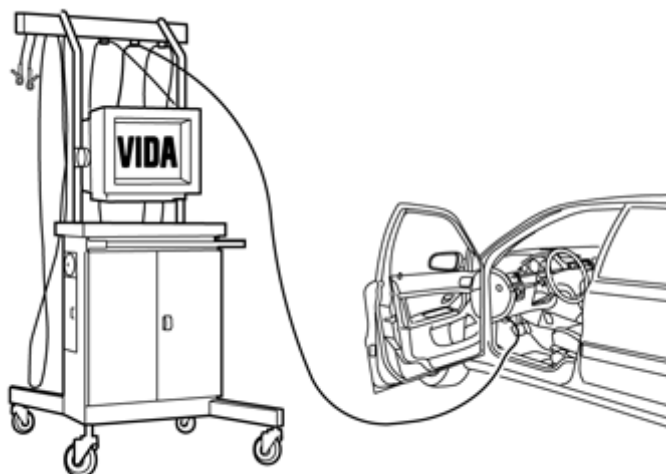
Order and download software according to: 31275377

92

VIDA

IMG-275777

93



IMG-242268

Download software (application) for the accessory's function according to the service information in VIDA.

Order and download software according to: 31373842



Installation instructions, accessories

Volvo Car Corporation Gothenburg, Sweden
